

LFX-SM SERIES Outdoor Lighting

LFX-SM-10-30W-MCTP-TR-WH

MCTP Multi Color Temperature & Multi Power/Wattage (Selectable)

WESTGATE
THE FUTURE IS HERE...AND IT'S QUITE BRIGHT!



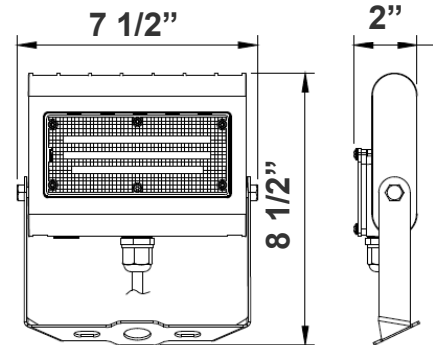
Ideal for general site lighting, alleys, loading docks, doorway, pathway, and parking areas.

Customer Name: _____

Project Name: _____

Note: _____

Type: _____



8 1/2"(H) x 7 1/2"(W) x 2"(D)

Features

- DLC Premium & LED High-Lumen Flood lights
- Solid State Lighting Technology for Long Life
- No Maintenance Needed and High-Efficiency
- 70,000 Hours Rated Life
- 7-Year Warranty
- Optic Lens Type: III
- Multi-CCT Power - The Switch is on the Bottom of the Fixture

Technical Specifications

Electrical:

- Voltage: 120~277V AC/50~60 Hz
- Wattage: 10W/ 15W/ 20W/ 30W
- Power Factor: >0.9
- Efficacy: 130 LPW

Mechanical:

- Die-cast Aluminum Housing with Powder Coat Finish (Dark Bronze and White Finish)
- Solid State Lighting technology for long life, no Maintenance needed and High-Efficiency
- High Conductive Aluminum LED Board
- 270° Adjustable Yoke Mount
- IP Rating: IP65
- Operating Temperature: -40°F to 104°F
- Suitable for Wet Locations

Lighting:

- Dimming: 0~10V Dimmable
- Optic Lens Type: III
- Cord type: 13" #18 AWG stranded wires
- Multi-CCT Power - The Switch is on the Bottom of the Fixture
- Total Lumens: 3900LM Max
- Color Temperature: 3000K/ 4000K/ 5000K/ 5700K
- Color Rendering Index: ≥ 82
- Beam Angle: 120°X 90°

Applications:

- Ideal for general site lighting, alleys, loading docks, doorway, pathway and parking areas.
- Replace existing HID flood lights/ wall packs

Other Models:

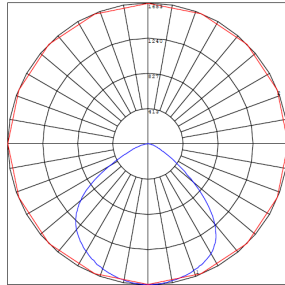
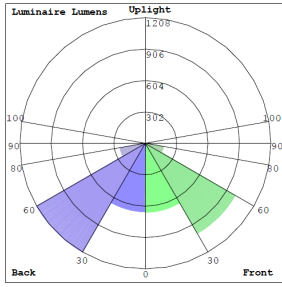
• 50W | 6700LM | LFX-MD-15-50W-MCTP-TR • 50W | 6700LM | LFX-MD-15-50W-MCTP-TR-SV • 50W | 6700LM | LFX-MD-15-50W-MCTP-TR-BK



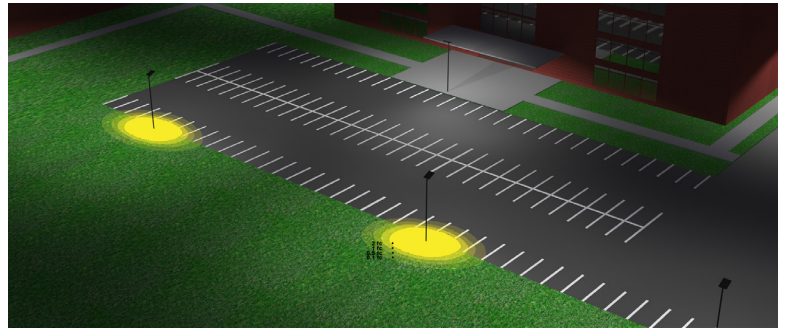
Phone: (877) 805-2252 | Fax: (877) 805-2252
www.westgatemfg.com |



Photometrics: LFX-SM-10-30W-MCTP-TR-WH



BUG Rating: B2-U0-G1



Area 40'x 50' Mounting Height: 20'

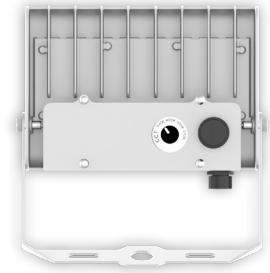
Other Views:



Side View



Front View



Back View

Performance Table: LFX-SM-10-30W-MCTP-TR-WH

MODEL NO.	Wattage	Voltage	Lumens	Color Temp.	BUG Rating	LPW
LFX-SM-10-30W-MCTP-TR-WH	10W	120~277V	1210LM	3000K 4000K 5000K 5700K	B2-U0-G1	130
			1250LM			
			1280LM			
			1280LM			
			1800LM			
	15W		1880LM			
			1930LM			
			1930LM			
			2340LM			
	20W		2400LM			
			2500LM			
			2500LM			
			3830LM			
			3880LM			
	30W		3880LM			
3880LM						
3880LM						
3900LM						



Accessories Options

Blank = No Option For Accessories

WRC-3-BRZ = Weatherproof cover with three(3) 1/2" hubs

LF3-SH2 = Shroud for LF3 50W Reversible

LF3-SH2FG = Full-Glare Shroud for LF3 SM

Sample Ordering

Model	Size	Min.Wattage	Max.Wattage	Color Temp.	Mount	Housing
LFX	SM	10	30W	MCTP	TR	WH

ACCESSORIES AND MOUNTING OPTIONS



LF3-SH2
Shroud (Reversible)



LF3-SH2FG
Full-Glare Shroud

Color Options: Custom Color Available

Black Silver White Dark Bronze Green Red Yellow
Default color

